

Installation Instructions for POCKIT® Kits

To surface mount:

1. Determine location of lights and transformer. Install transformer and wiring block in place.
 2. Wires can either (a) go through a 3/16" hole in mounting surface (shelf) or (b) out through knock outs in mounting ring and along mounting surface. Select best method. Do not knock out mounting ring until step 4.
 3. Hold light and mounting ring as shown. Push together and rotate light inside ring to align mounting holes for screws (see detail 3).
 4. Remove appropriate knock out area in mounting ring if required *or* drill 3/16" clearance hole in mounting surface. Knock out can be cleanly removed by using a narrow file to take out indented area on mounting ring.
 5. Place wires as desired. Hold light in place and attach using screws provided. It may be necessary to drill 1/16" pilot holes for screws.
 6. Place protective lens cover on light and turn to lock in place.
 7. Complete wiring installation to transformer. Push needle ends of wire completely into snap connector until they are seated into the plastic.
 8. Snap connector into wiring block.
- Note: Transformer can supply power to a maximum of (3) 20W Pockits® or (6) 10W lights. If more than 60W of lighting is plugged into the block, the transformer will shut off using an internal overload protection device. The device resets automatically after a period of time.

To recess mount:

1. Determine location of lights and transformer. Install transformer and wiring block in place.
2. Drill 54mm (2-1/8") hole to install light. Be sure to remove rough areas at edge and inside hole.
3. Feed wires through hole and push POCKIT® into place. You may choose to affix the light with screws.
4. Place protective lens cover on light and turn to lock in place. Note: Discard surface mounting ring.

Extension Cords for lights:

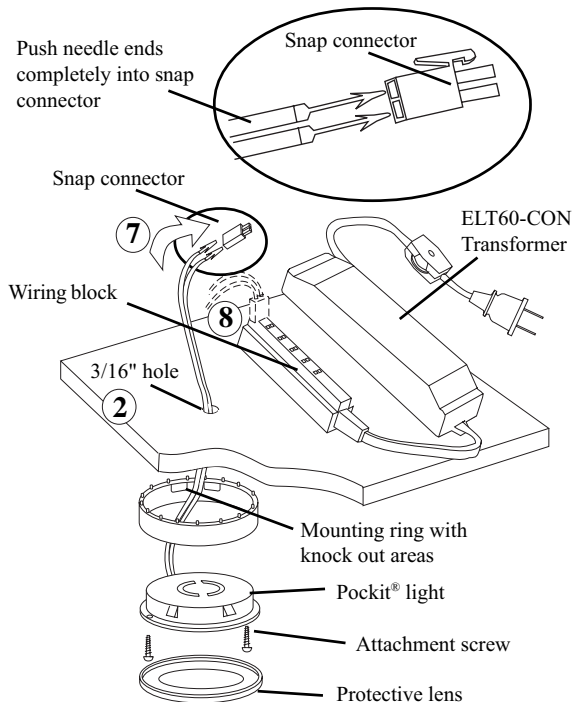
- For lighting installations where the light must be located farther than the standard cord will allow, extension cords may be purchased. Cords are available in 1, 2, or 3 meter lengths. Note: Maximum length of cord from transformer to light should be 5 meters. Longer cords could result in poor light quality.

See ELT60-CON transformer installation instructions on reverse side.

IMPORTANT SAFETY INSTRUCTIONS

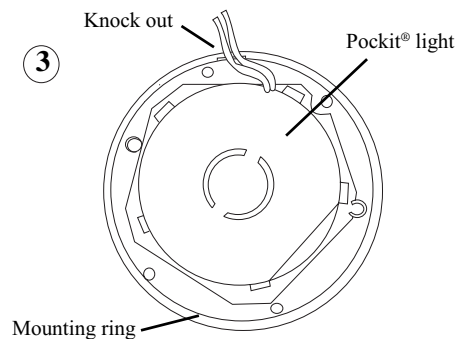
CAUTION: To reduce the risk of fire, electric shock, exposure to excessive UV radiation or injury to persons:

- Use only 10W or 20W bulb.
- Before replacing bulb, turn light off (or unplug) and allow bulb to cool. Use a soft cloth to handle bulb as skin oil may damage bulb.
- Bulb gets hot. Do not touch bulb, lens, lens holder or enclosure when system is in use.
- Do not look directly at bulb.
- Do not operate system if lens is missing or damaged.



To align Pockit® and mounting ring:

- Hold mounting ring in hand as shown (rear side up)
- Thread wires from light up through ring.
- Position Pockit® inside ring (glass side down) as shown and gently push together.
- Turn ring and light over to glass side. Turn light inside ring to align holes.
- Thread wires through knock out to allow light fixture to seat against surface properly.



This light is intended to be used as a cabinet light on wood, particle board or other structurally sound, heat resistant surface. Care should be taken during and after installation to avoid contact of light with wiring, cord, or any combustible material.

Save these instructions for future reference.

For technical assistance: **1-800-227-1171**
www.trescolighting.com cservice@trescolighting.com



NOTICE

THIS PRODUCT MUST BE INSTALLED IN ACCORDANCE WITH THE APPLICABLE INSTALLATION CODE BY A PERSON FAMILIAR WITH THE CONSTRUCTION AND OPERATION OF THE PRODUCT AND THE HAZARDS INVOLVED. CONSULT A QUALIFIED ELECTRICIAN TO ENSURE CORRECT BRANCH CIRCUIT CONDUCTOR.

CE PRODUIT DOIT ETRE INSTALLE SELON LE CODE D'INSTALLATION PERTINENT, PAR UNE PERSONNE QUI CONNAIT BIEN LE PRODUIT ET SON FONCTIONNEMENT AINSI QUE LES RISQUES INHERENTS. ATTENTION-RISQUE D'INCENDIE. CONSULTER UN ELECTRICIEN QUALIFIE POUR VOUS ASSURER QUE LES CONDUCTEURS DE LA DERIVATION SONT ADEQUATS.

THE DISTANCE SHALL BE KEPT MORE THAN 15CM FROM THE BULB TO THE LIGHTED OBJECT.



I-XENON-0314